



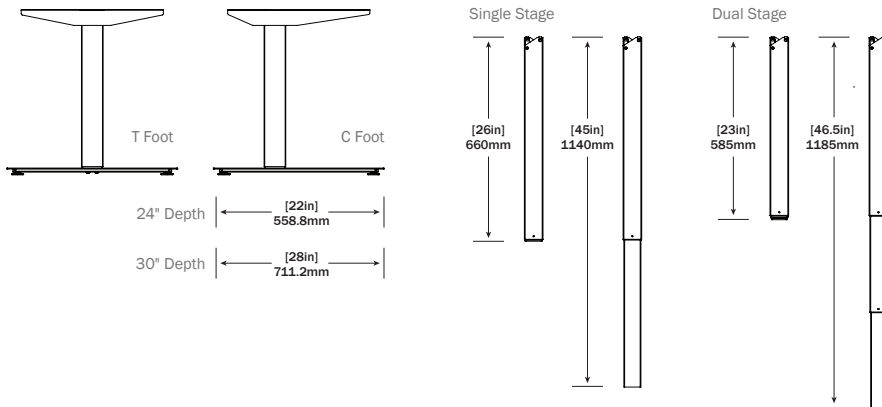
## ADDITIONAL INFORMATION

- Two - and three-column configurations available
- Two-column configurations can support 36" to 84" tabletops and up to 200 lb. load
- Three-column configurations can support both 90 and 120 degree layouts and up to 250 lb. load
- Raising/lowering speed 1 3/8" per second
- Power consumption <0.3W
- 43db noise level using ISO-11201:2010 acoustics
- Multiple handswitch and color options available within one order
- Vertical wire management available
- Inverted columns (top down design)
- Features patent-pending sound-reduction technology

### WARRANTY INFORMATION

**Two Years** Electronic components such as control boxes, handswitches, motors.  
**Five Years** Mechanical components such as crank drives, spindles.  
**Ten Years** Structural components such as beams, feet and top supports.

### DRAWING Standard Dimensions



## TECHNICAL SPECIFICATIONS

TYPE	STROKE LENGTH (IN)	HEIGHT MIN / MAX (IN)	TRAVEL SPEED (IN/sec)	MAX RATED WEIGHT (LB)	NOISE LEVEL (DB)
Single Stage	19	27 / 46	1.375	200/250 (two leg/three leg)	43
Dual Stage	23.5	24 / 48	1.375	200/250 (two leg/three leg)	43

### NOTES

- Base depths: 24" and 30"
- Base widths: 84" - 36" (6" increments)  
 Three Leg 90°: up to 72"  
 Three Leg 120°: up to 60"
- Base heights: Single Stage Electric: 28" - 47" (with 1" top)  
 Dual Stage Electric: 25" - 49" (with 1" top)
- Stroke length of 19"/23.5" (480mm/600mm)
- Recommended column orientation as shown. Do not mount on angle.
- Maximum load (including table top) not to exceed 200 lb. (250 lb. for three leg)
- Wire-managing HAT channels and support beams available

## OPTIONS

### HANDSWITCH OPTIONS

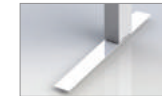


Basic Up-Down



Programmable (upgrade)

### FOOT OPTIONS



C Foot



T Foot

### POWDER COAT COLOR OPTIONS



16801 Industrial Circle SE - Prior Lake, MN 55372 - 952.873.3266 - healthpostures.com

Terms of Use: The user is responsible for determining the suitability of HealthPostures products for specific applications